

Medium Power Millimeter Wave Amplifiers

FEATURES:

- 2.92 mm Connectors / Standard Waveguides
- Medium Power Output Up to 0.25 Watt
- High Gain 15-25 dB Min
- Low VSWR 2.5:1 Max



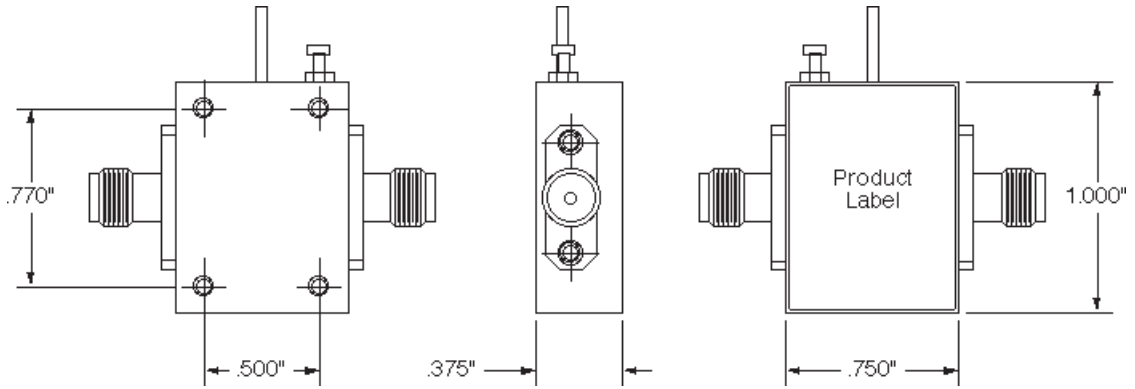
SPECIFICATIONS:

MD Model Number	Frequency Range (GHz)	Min Gain (dB)	Typical Noise Fig (dB)	In-Out VSWR (50 Ω)	Output Power (dBm)	Supply Requirements (VDC @ I _{max})	Case Style
AP1840-17-1	18.0-40.0	+17	10	2.5:1	+17	8 V @ 350mA	-1, M3
AP1826-17-1	18.0-26.0	+13	10	2.5:1	+17	8 V @ 120mA	-1, M3
AP1826-17-2	18.0-26.0	+20	10	2.5:1	+17	8 V @ 250mA	-2, M4
AP3442-17-1	34.0-42.0	+15	10	2.5:1	+17	8 V @ 300mA	-1, M3
AP5066-17-1	50.0-66.0	+19	10	2.5:1	+17	8 V @ 400mA	-1, M3
AP1840-20-2	18.0-40.0	+25	10	2.5:1	+20	9 V @ 400mA	-2, M4
AP1824-20-2	18.0-24.0	+20	10	2.5:1	+20	9 V @ 200mA	-2, M4
AP3342-20-2	33.0-42.0	+23	10	2.5:1	+20	9 V @ 350mA	-2, M4
AP4046-20-1	40.0-46.0	+13	10	2.5:1	+20	9 V @ 300mA	-2, M4
AP1824-23-2	18.0-24.0	+27	10	2.5:1	+20	9 V @ 350mA	-2, M4
AP2027-23-2	20.0-27.0	+27	10	2.5:1	+20	9 V @ 350mA	-2, M4
AP2632-23-2	26.0-32.0	+24	10	2.5:1	+20	9 V @ 350mA	-2, M4
AP3035-23-2	30.0-35.0	+23	10	2.5:1	+20	9 V @ 350mA	-2, M4
AP3540-23-2	35.0-40.0	+20	10	2.5:1	+20	9 V @ 350mA	-2, M4

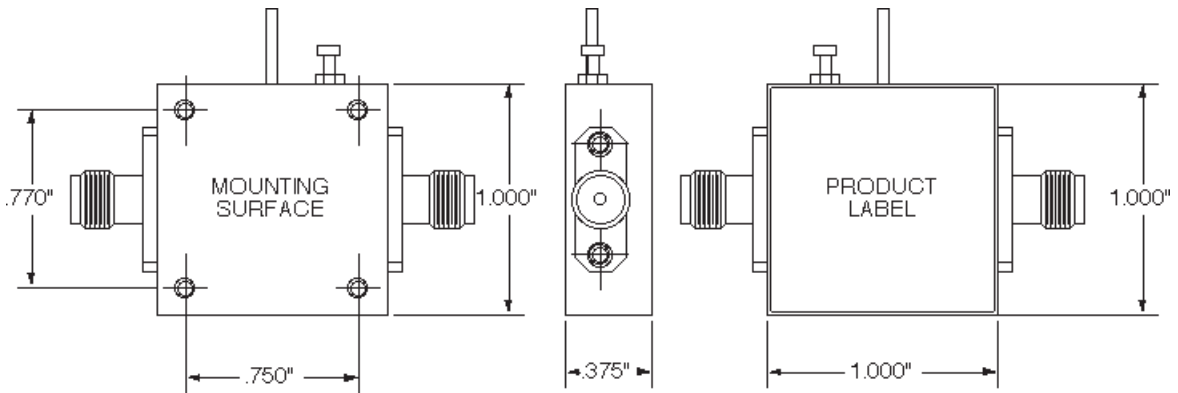


16541 Scientific Way, Irvine, CA 92618 PHONE: 949-679-7788, FAX: 949-679-7748
 Web Page: <http://www.quanticismwd.com> Email: sales@quanticismwd.com

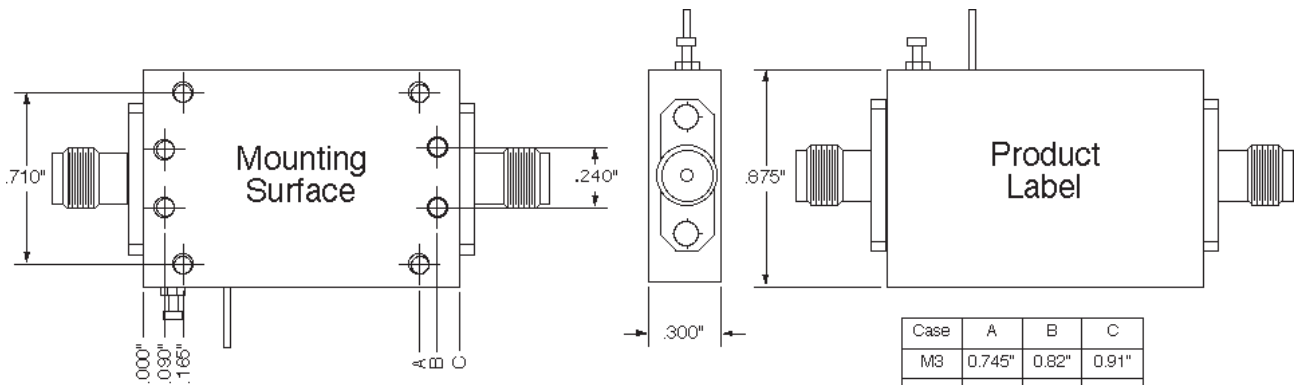




-1 Case Style



-2 Case Style



M Case Style

